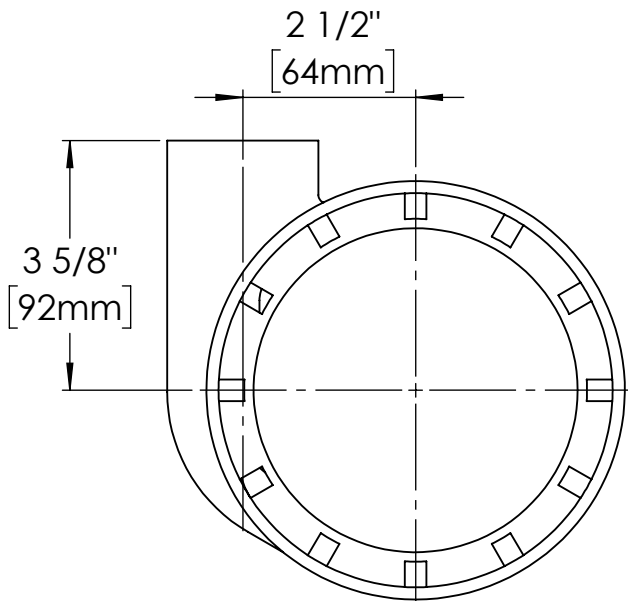



SECTION A-A



| ITEM NO. | PART NUMBER | DESCRIPTION | QTY. |
|----------|-------------|-----------------|------|
| 1 | CSM5-6 | STRAIGHT MIXER | 1 |
| 2 | F56 | FLANGE, WELD ON | 1 |
| 3 | VB6C | CLAMP, V-BAND | 1 |

| | | | |
|--------------|----------|---|-------|
| NAME | DATE |  HDI MARINE 12209 NE FOURTH PLAIN BLVD, #NN, VANCOUVER, WA 98682 (360) 824-0800 | |
| DRAWN NPW | 12/15/23 | | |
| LAST SAVED | 6/6/2025 | | |
| STOCK CODE | | TITLE: STRAIGHT MIXER ASSEMBLY | |
| FOR | | | |
| REF. | | | |
| SOURCE | | | |
| MATERIAL | 316 SS | SIZE DWG. NO. SM5-6 | REV A |
| WEIGHT | 11 LB. | | |
| FINISH | NONE | | |
| HEAT TREAT | NONE | | |
| SCALE: 1:2.8 | | SHEET 1 OF 1 | |

SM5-6