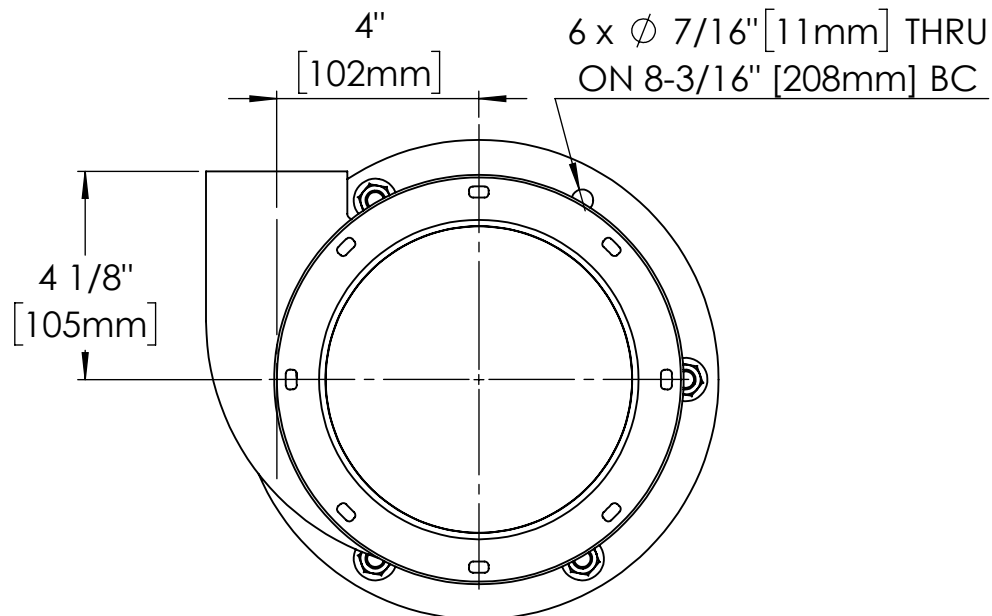


SECTION A-A



ITEM NO.	PART NUMBER	DESCRIPTION	QTY.
1	CSM6-8	STRAIGHT MIXER	1
2	F6-8	FLANGE, WELD ON	1
3	GSM8	GASKET, FLANGE	1
4	FLANGED BOLT	M10 X 45mm	6
5	FLANGED NUT	M10	6

	NAME	DATE
DRAWN	NPW	12/15/23
LAST SAVED		12/25/2023
STOCK CODE		
FOR		
REF.		
SOURCE		
MATERIAL	316 SS	
WEIGHT	33 LB.	
FINISH	NONE	
HEAT TREAT	NONE	


HDI MARINE
 12209 NE FOURTH PLAIN BLVD. #NN,
 VANCOUVER, WA 98682 (360) 824-0800

TITLE: STRAIGHT MIXER ASSEMBLY

SIZE DWG. NO. SM6-8
A **0**

SCALE: 1:3.8 SHEET 1 OF 1

8-9W-8